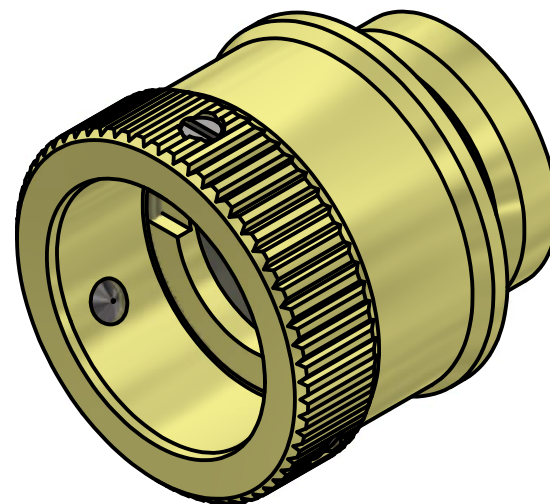
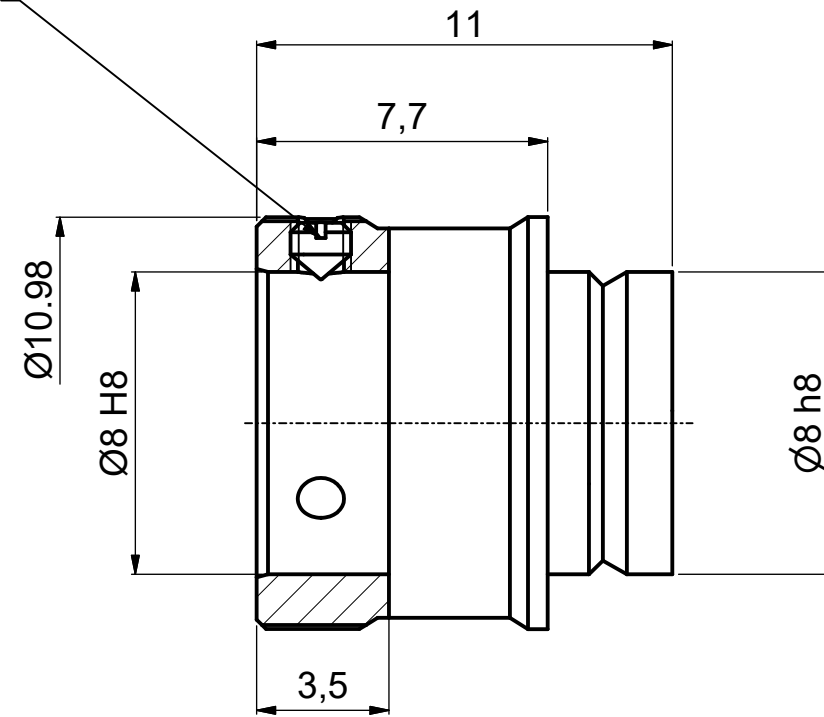


Clamping screw for locking of  
lens attachments (3x120°)  
( not included )



Dimensions DIN EN ISO 14405		Scale: 5:1			
		Date		Name	
		editor 23.10.2019		Trapp	
		exam.			
		free			
				5WP-Retardation Optics	
				5WP-X-xxx-L	
				Customer Drawing	
				9211-2028-0600	
				Schäfer+Kirchhoff OPTICS, METROLOGY, AND PHOTONICS GmbH	
				File: 921120280600.idw Model: 921120280600.iam	
				Size: <b>A3</b> Page: 1	